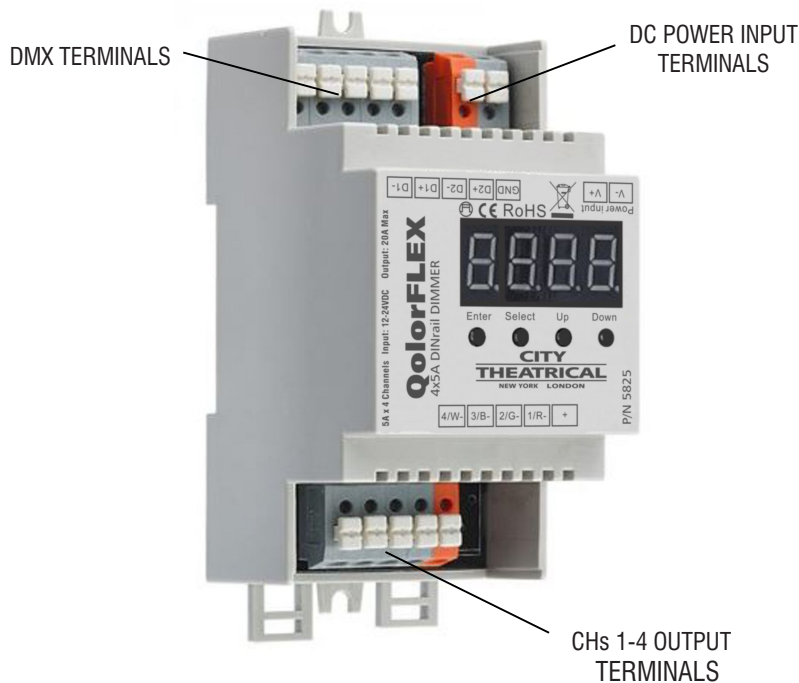


QolorFLEX® 4x5A DINrail DIMMER
P/N 5825

The QolorFLEX 4x5A DINrail Dimmer is a constant voltage dimmer that can control a full 20A of LED tape spread over four channels of 5A each.

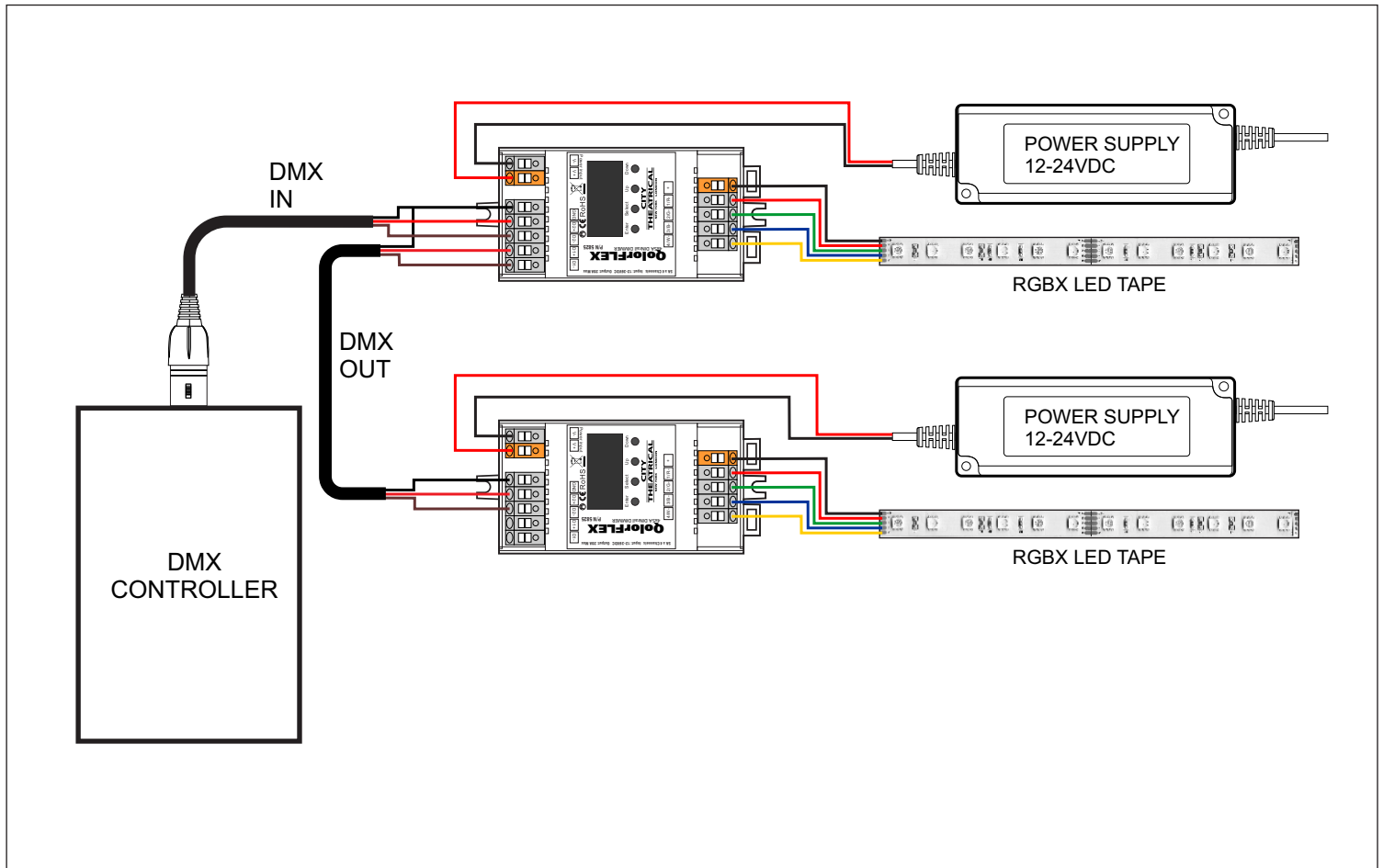
It is designed to operate perfectly with City Theatrical's QolorFLEX LED tape, the LED tape of professionals on Broadway, network television, and architectural lighting installations.



Features:

CTI Part #:	5825
Maximum Current per device:	20A
Maximum load per output channel:	5A
User Interface:	4 button, plus alpha/numeric display
Output channels:	User selectable of one to four
Resolution:	User selectable- 8 bit or 16 bit
PWM Frequencies:	User selectable- 500Hz to 30KHz
Dimming Curves:	User selectable- 99
DMX Connections:	Screw Terminals
RDM capable:	Yes
Construction:	NEMA 1 ABS enclosure
Compliance:	CE, RoHS, FCC
Physical:	
Weight	.25 lbs (.11 kg)
Dimensions	2.1"(53.4mm) W x 4.32" (110mm) L x 2.56"(65mm) H

WIRING SCHEMATIC



DIMENSIONS

